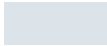






## Features

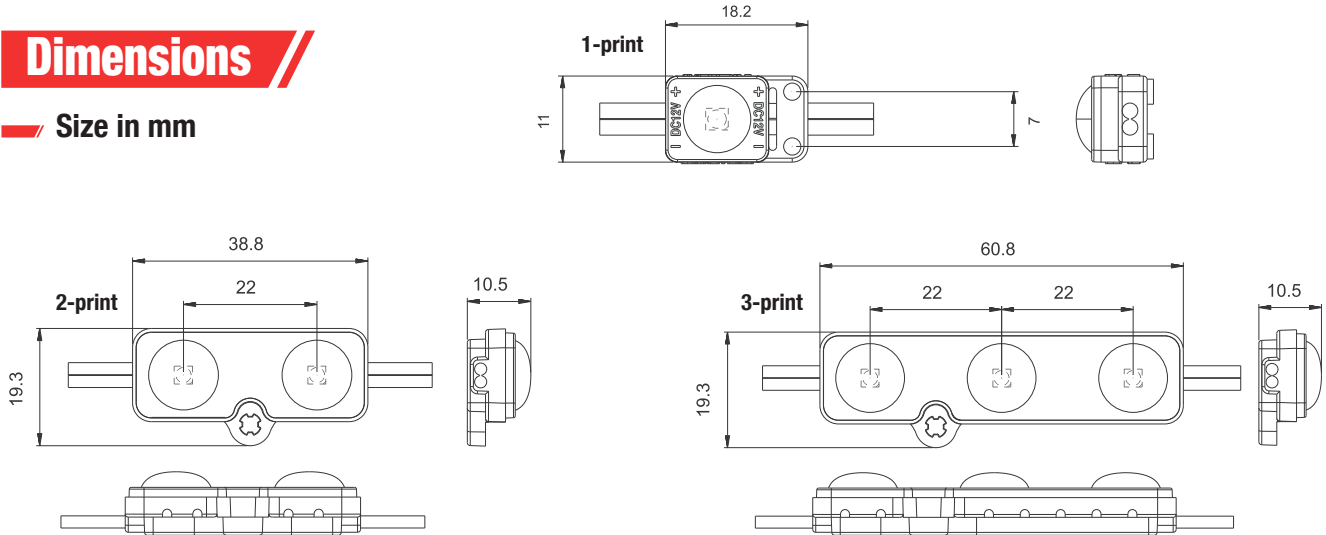
- High lumen performance
- Low voltage 12 VDC system
- Wide viewing angle and eliminate wasted light
- Pre-drilled holes and industrial-grade mounting tape
- Contains no lead, mercury or glass
- 5 years warranty (2 years all inclusive)

## Colours

—		White	Color temperature 6500K	Angle 175°
—		Warm white	Color temperature 3000K	Angle 175°
—		Red	Wave length 620 - 625nm	Angle 175° <small>(not available in 1-print)</small>
—		Green	Wave length 522,5 - 525nm	Angle 175°
—		Blue	Wave length 465 - 467,5nm	Angle 175°

## Dimensions

Size in mm



## Specs

Part No.	Color	Luminous flux (lm/pc)	Lumen efficiency (lm/W)	Input Voltage (V DC)	Current (mA/pc)	Power (W/pc)
SIGN175°-1	White	30	100	12	25	0.3
SIGN175°-1	Warm white	28	93.3	12	25	0.3
SIGN175°-1	Blue	4	13.3	12	25	0.3
SIGN175°-1	Green	14	46.7	12	25	0.3
SIGN175°-2	White	60	90.9	12	50	0.66
SIGN175°-2	Warm white	56	84.8	12	50	0.66
SIGN175°-2	Red	7	10.6	12	50	0.66
SIGN175°-2	Blue	5	7.6	12	50	0.66
SIGN175°-2	Green	21	31.8	12	50	0.66
SIGN175°-3	White	93	91.2	12	85	1.02
SIGN175°-3	Warm white	85	83.3	12	85	1.02
SIGN175°-3	Red	11	15.3	12	85	1.02
SIGN175°-3	Blue	8	11.1	12	85	1.02
SIGN175°-3	Green	33	45.8	12	85	1.02